



BASEMENT WINDOW SYSTEMS

Basement Egress Windows Made Easy!
www.boman-kemp.com

Boman Kemp 4040 Basement Window System Specification Sheet

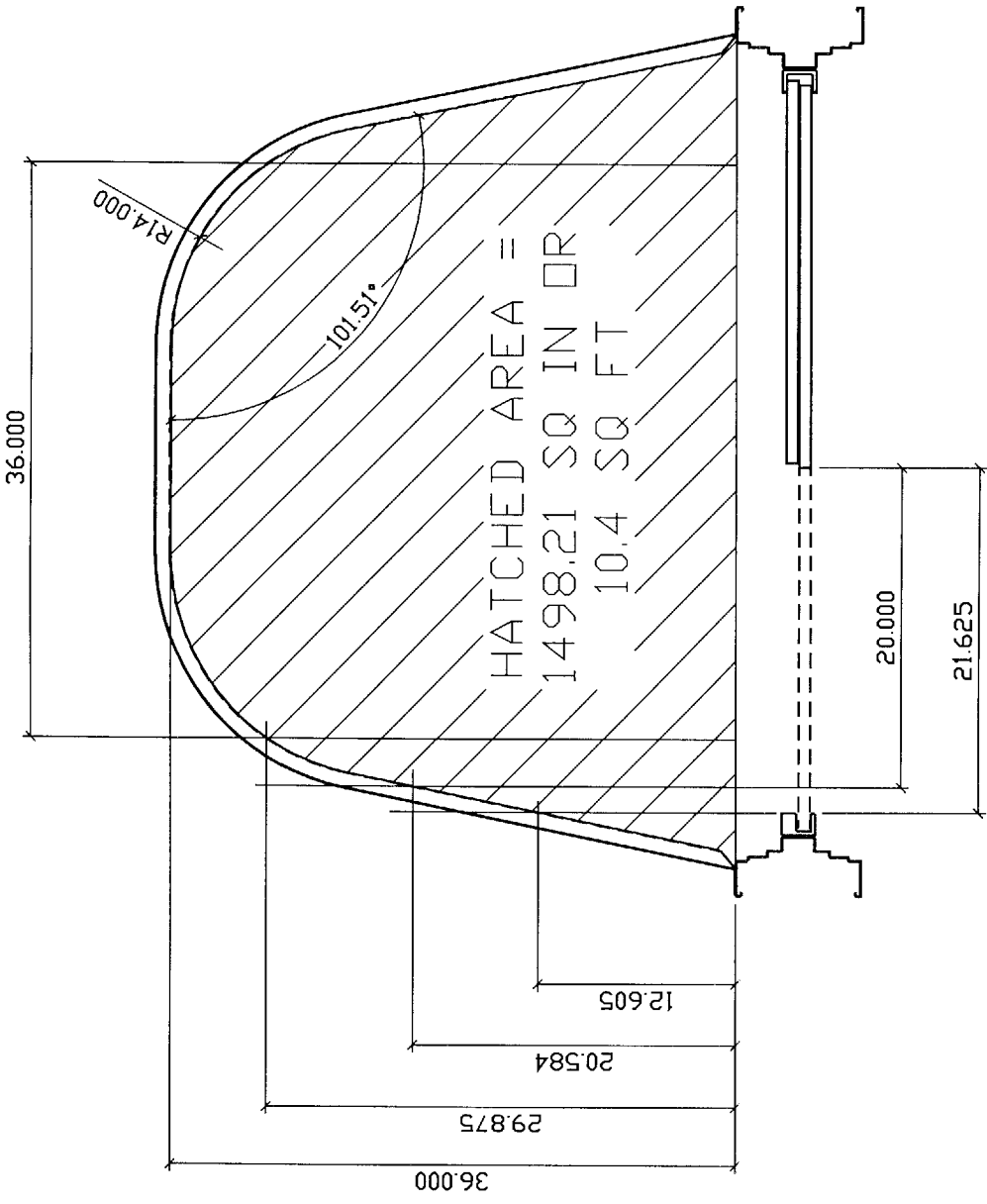
<u>Components</u>	<u>Model #</u>	<u>Notes</u>
Easy-Buck	4040 (48" x 48")	Pour in place frame
Easy-Well	5236-60"	Corrugated well
Vinyl Window	4040	Insulated double pane
Safety Grate	5236	Sits atop the well for fall in protection
Grate Cover	5236	Keeps debris from entering well from top
Escape Ladder	4'-0"	Permanently attaches for emergency escape

Code Compliance

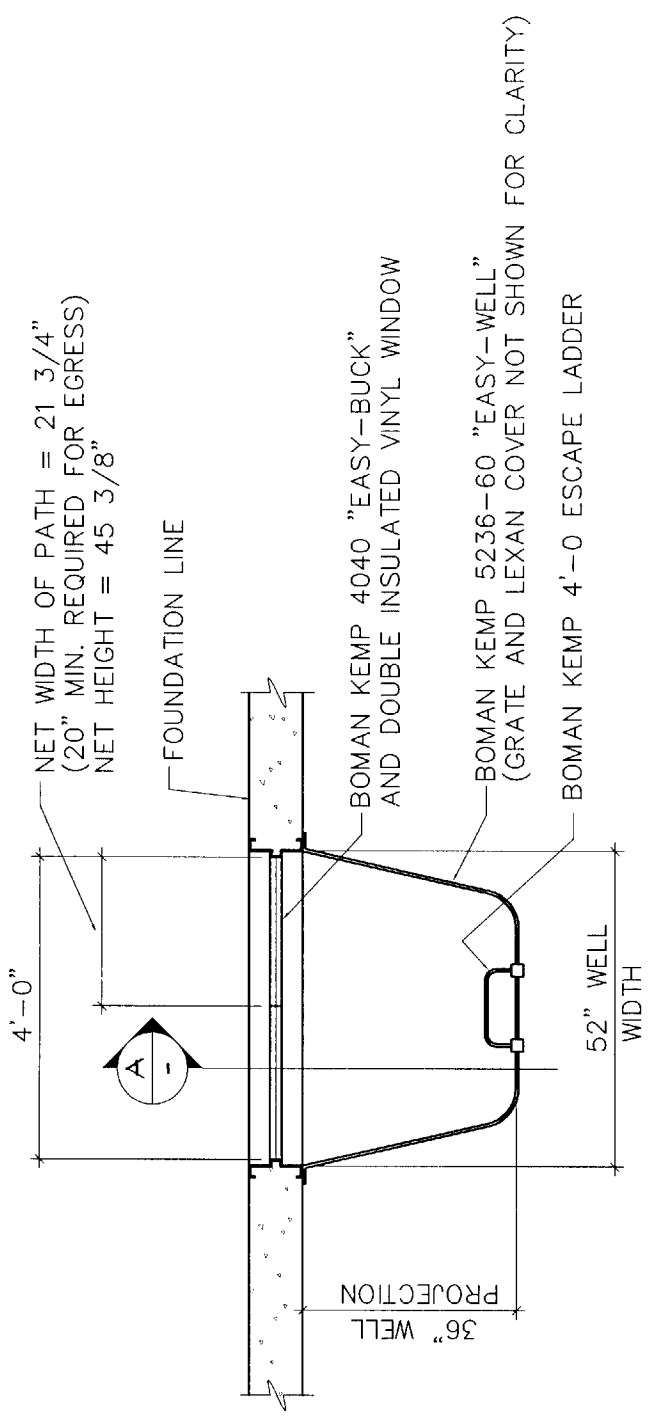
Exceeds IRC-2006

Technical Information

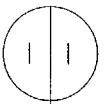
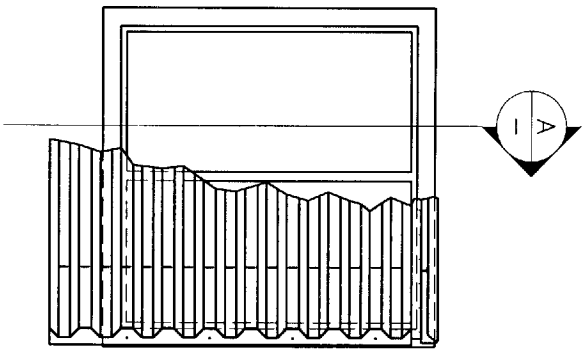
Easy-Buck	18 Ga. White on galvanized steel
Easy-Well	Provides 10.4 square feet (9 square feet required for IRC-2006)
Vinyl Window	14.055 square feet of light surface
Safety Grate	Manufactured from steel and powder coated
Grate Cover	Clear polycarbonate cover that affixes to grate
Escape Ladder	Manufactured from $\frac{1}{4} \times 1 \frac{1}{4}$ " flat bar and #5 rebar



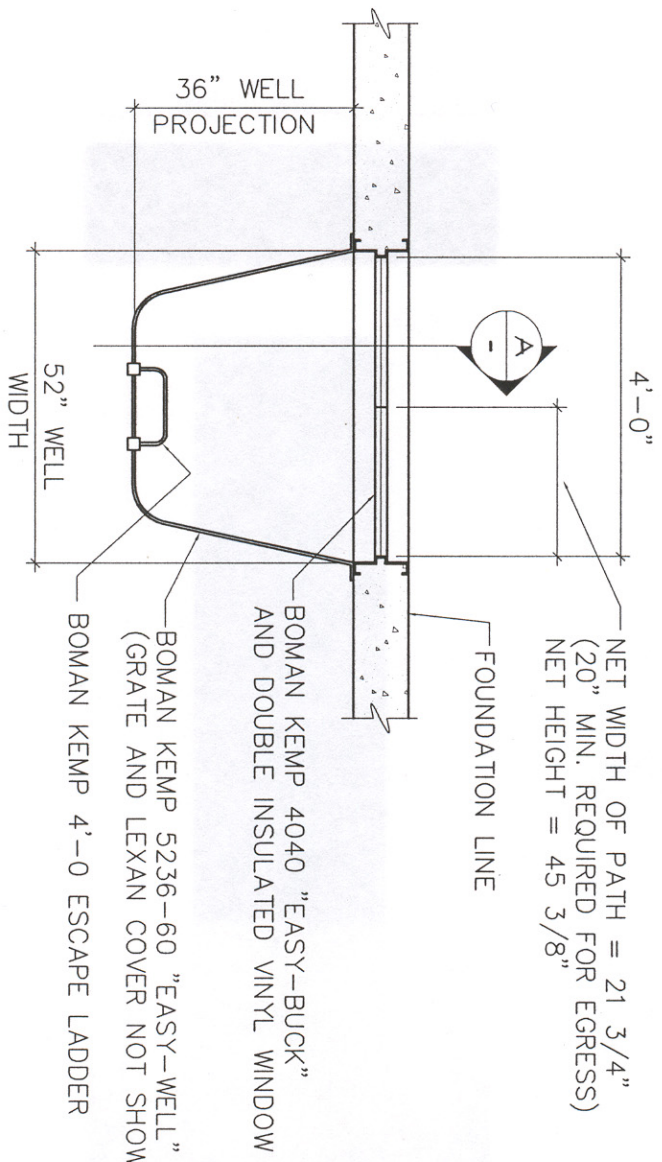
5236 EASY WELL



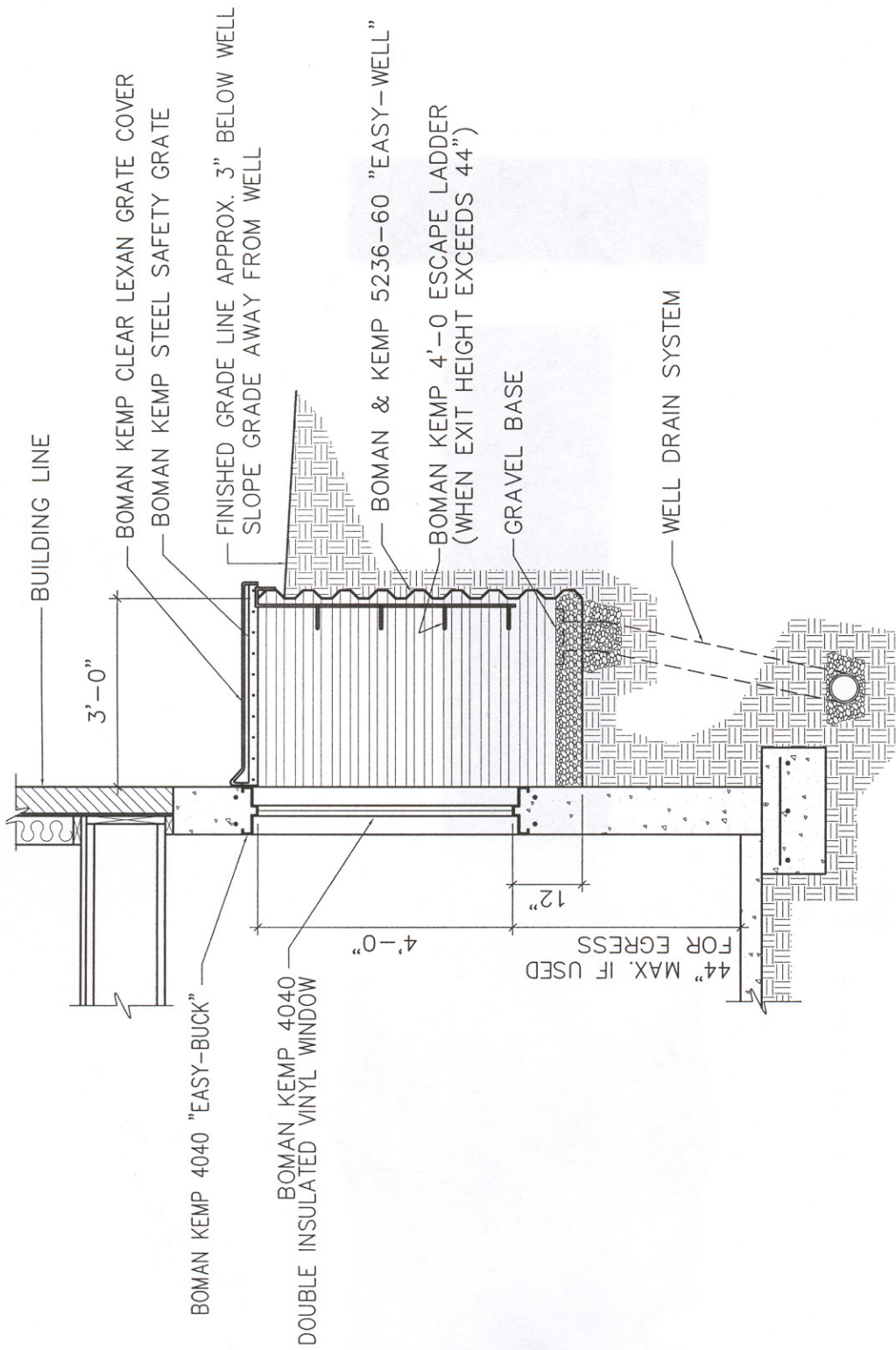
○ PLAN VIEW WINDOW WELL
 36" PROJECTION REQUIRED FOR EGRESS



WINDOW ELEVATION WITH WELL



— PLAN VIEW WINDOW WELL
— 36" PROJECTION REQUIRED FOR EGRESS



A WALL SECTION THRU. WINDOW WELL